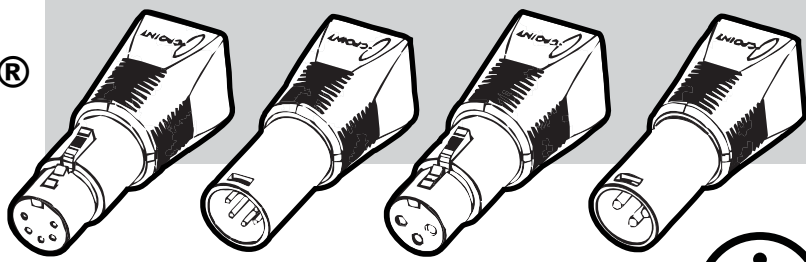


CPOINT® XLRJ45® FACT SHEET



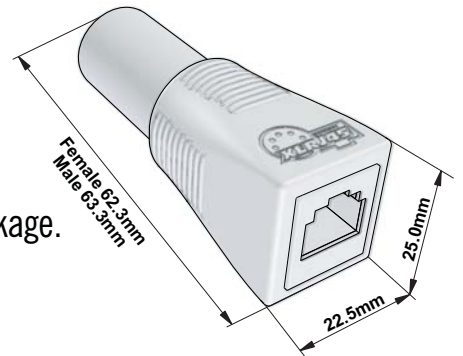
XLR TO RJ45 ADAPTER

FEATURES XLRJ45® is an adapter to convert a CAT-5 ethernet cable of any reasonable length into a DMX512 cable.

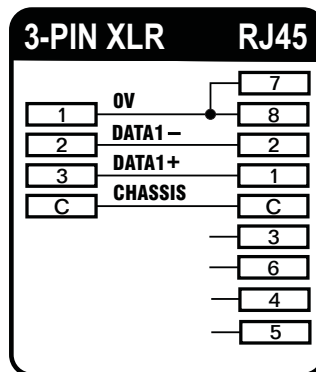
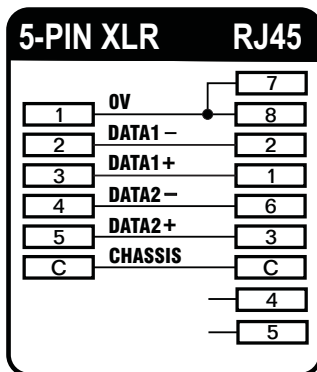


Just two clicks...

- Use of ordinary CAT-5 ethernet cable to make a DMX512 cable.
- Plug directly into any 3 or 5-pin XLR DMX512-controlled equipment.
- Four XLRJ45® versions available, male or female 3-pin or 5-pin XLR to Rj45.
- Combine different adapters as needed.
- Very robust, rugged molded housing with non-slip grip.
- Gold plated pins on connectors.
- Sturdy light weight color printed paper box packaging.
- Weight including packaging, 50gram/1.76oz.
- EAN13 Barcodes, separate code for each XLRJ45® package.
- Easy to use and small, fits in your pocket.
- Low cost.
- RoHS, REACH and California Prop65 Certified.



CONNECTION DIAGRAMS



PACKAGING SIZE



XLRJ45® packaging:

For more visual information on each version, please visit:

www.cpoint-lighting.com/products/product_xlrj45/

Fully compliant with PLASA/ANSI E1.11-2008 (R2013) Clause 7.3 Table 4 – Connection Schedule for DMX512 Equipment Using IEC 60603-7 8-Position Modular Connectors

ORDER CODES

- 3-pin XLR Female, order code XLRJ45-3F.
- 3-pin XLR Male, order code XLRJ45-3M.
- 5-pin XLR Female, order code XLRJ45-5F.
- 5-pin XLR Male, order code XLRJ45-5M.

