



Key Features & Benefits

- Wide coverage of operating currents and power levels
- Multiple output currents selectable by shorting designated output pins
- Available with dimming or non-dimming versions
- Specification grade dimming down to 10% on 0-10V dimmers
- Input voltage:
 - Universal 120-277VAC
 - 50/60Hz
- UL Class 2 output
- UL Class P Listed

The OPTOTRONIC Current Select family consists of highly efficient, linear, constant current LED drivers. These drivers provide economic and flexible solutions for indoor lighting applications. Each driver can achieve three output current levels by shorting the designated current selection pins on the driver. The input voltage is a Universal 120–277VAC, and there are multiple output power options to choose from. These drivers are also available with or without a built-in 0-10V dimming interface.

Product Offering

Maximum Power	Minimum Dimming	Selectable Output Currents
55W	10%	800mA/1000mA/1200mA
55W	Non-Dimming	800mA/1000mA/1200mA
50W	10%	1200mA/1300mA/1400mA
50W	Non-Dimming	1200mA/1300mA/1400mA
35W	10%	350mA/625mA/750mA
35W	Non-Dimming	350mA/625mA/750mA
35W Fixed Current Models	10%	500mA to 740mA
55W Fixed Current Models	10%	880mA to 1060mA

Application Information

- Indirect/direct
- Linear
- Recessed troffer

Specifications and Certifications



Electrical Specifications

Maximum Output Power (W)	Nominal Input Voltage (V _{Ac})	Maximum Input Current (A)	Power Factor	THD	Line Transient	Efficiency	Environmental Rating	UL File #
55W	120-277V _{Ac} 50/60Hz	0.56 @ 120V 0.24 @ 277V	>0.9	<20%	ANSI C62.41 Category A 2.5KV	>85%	Dry & Damp	E320395
50W	120-277V _{Ac} 50/60Hz	0.5 @ 120V 0.22 @ 277V	>0.9	<20%	ANSI C62.41 Category A 2.5KV	>85%	Dry & Damp	E320395
35W	120-277V _{Ac} 50/60Hz	0.35 @ 120V 0.15 @ 277V	>0.9	<20%	ANSI C62.41 Category A 2.5KV	>85%	Dry & Damp	E320395

Ordering Information

Item Number	NAED	Ordering Abbreviation	Max. Output Power	Output Current Selectable	Output Voltage Range (V _{oc})	Dimming Control	Dimming Range	LED Thermal Protection
Selectable Output Current								
*2743WJ	57435	OT 35W/UNV/0A75 CS L	35W	350mA/625mA/750mA	20-50V	–	–	No
*2743WK	57436	OT 35W/UNV/0A75 CS DIM L	35W	350mA/625mA/750mA	20-50V	0-10V	10-100%	No
*2743X9	57459	OT 35W/UNV/0A7 CS DIM L 525	35W	525mA/625mA/675mA	20-50V	0-10V	10-100%	No
*2743WS	57460	OT 35W/UNV/0A7 CS DIM L 625	35W	525mA/625mA/675mA	20-50V	0-10V	10-100%	No
*2743XA	57461	OT 35W/UNV/0A7 CS DIM L 675	35W	525mA/625mA/675mA	20-50V	0-10V	10-100%	No
*2743WN	57439	OT 50W/UNV/1A4 CS L	50W	1200mA/1300mA/1400mA	20-36V	–	–	No
*2743WP	57440	OT 50W/UNV/1A4 CS DIM L	50W	1200mA/1300mA/1400mA	20-36V	0-10V	10-100%	No
*2743WL	57437	OT 55W/UNV/1A2 CS L	55W	800mA/1000mA/1200mA	20-50V	–	–	No
*2743WM	57438	OT 55W/UNV/1A2 CS DIM L	55W	800mA/1000mA/1200mA	20-50V	0-10V	10-100%	No
*2743XC	57463	OT 55W/UNV/1A2 CS DIM L 975	55W	800mA/975mA/1200mA	20-50V	0-10V	10-100%	No
Fixed Output Current								
*2743WR	57441	OT 35W/UNV/0A7 DIM L 500	35W	500mA	20-46V	0-10V	10-100%	No
*2743WT	57443	OT 35W/UNV/0A7 DIM L 640	35W	640mA	20-46V	0-10V	10-100%	No
*2743WU	57444	OT 35W/UNV/0A7 DIM L 660	35W	660mA	20-46V	0-10V	10-100%	No
*2743WV	57445	OT 35W/UNV/0A7 DIM L 700	35W	700mA	20-46V	0-10V	10-100%	No
*2743WW	57446	OT 35W/UNV/0A7 DIM L 720	35W	720mA	20-46V	0-10V	10-100%	No
*2743WX	57447	OT 35W/UNV/0A7 DIM L 740	35W	740mA	20-46V	0-10V	10-100%	No
*2743X0	57449	OT 55W/UNV/1A2 DIM L 0880	55W	880mA	20-46V	0-10V	10-100%	No
*2743X1	57450	OT 55W/UNV/1A2 DIM L 0900	55W	900mA	20-46V	0-10V	10-100%	No
*2743X2	57451	OT 55W/UNV/1A2 DIM L 0970	55W	970mA	20-46V	0-10V	10-100%	No
*2746F7	57457	OT 55W/UNV/1A2 DIM L 0860	55W	860mA	20-46V	0-10V	10-100%	No
*2743X8	57458	OT 55W/UNV/1A2 DIM L 1060	55W	1060mA	20-46V	0-10V	10-100%	No

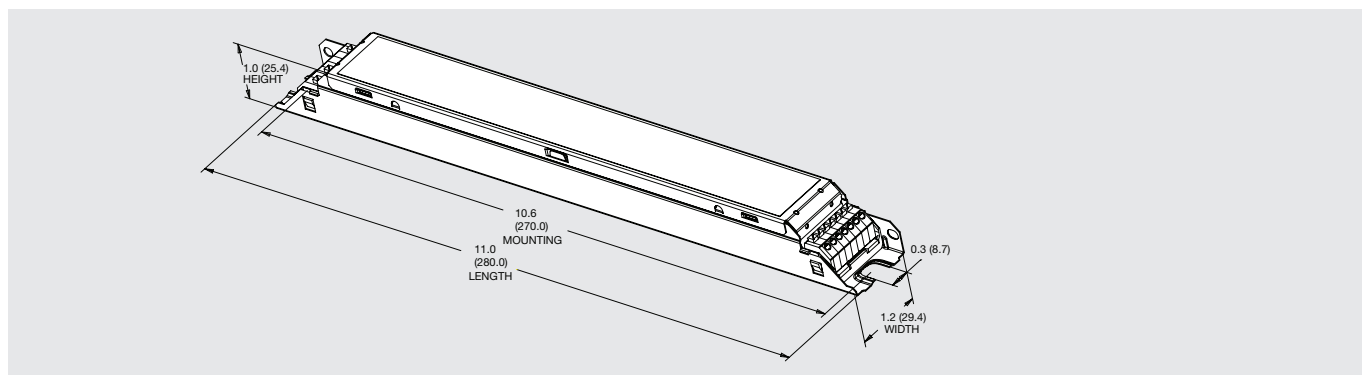
Ordering Guide

OT	55W	/	UNV	/	1A2	CS	DIM	L
OPTOTRONIC®	Output Wattage		Input Voltage		Output Current (Max)	CS = Current Select	0-10V Dimming DIM = 10% Dimming	L = Linear
	55W		120-277		1A2 = 1200mA			
	50W				1A4 = 1400mA			
	35W				0A7 = 700mA 0A75 = 750mA			

Minimum and Maximum Ratings

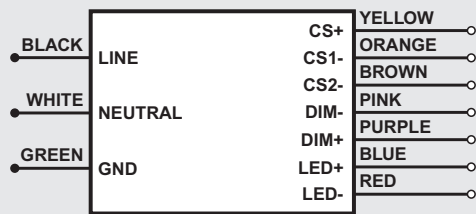
Parameter	Values
Input Voltage Range	108 – 305V _{Ac} (UNV)
Maximum Case Temperature (T _c point)	80°C for 55W, 75°C for 50W, 70°C for 35W
Maximum Case Temperature for 5 year life and warranty	80°C for 55W, 75°C for 50W, 70°C for 35W
Ambient Operating Temperature (reference)	-20°C to 50°C (-4°F to 122°F)
Maximum Storage Temperature	50°C (122°F)
Maximum Relative Humidity	85% (Non-condensing)

Assembly Diagram

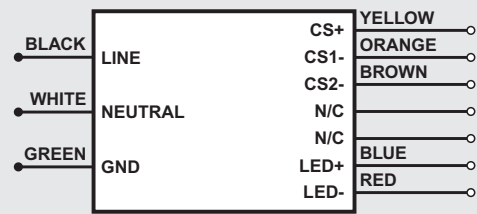


Wiring Diagram

Wiring diagram w/ DIM



Wiring diagram w/out DIM

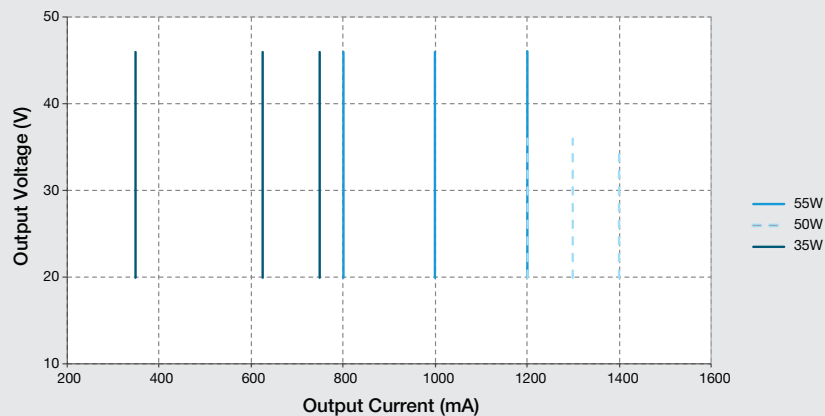


Output Current Selection

To select the desired output current value, short the output pins corresponding to the table below:

	No Short-Circuit	Short CS+ and CS1-	Short CS+ and CS2-
OT35W	350mA	750mA	625mA
OT50W	1200mA	1400mA	1300mA
OT55W	800mA	1200mA	1000mA

Operating Range



Packaging

Quantity: 30 pieces per case

Weight: 0.507 lbs ea./15.212 lbs per case (approx.)

Warranty

OPTOTRONIC® by eldoLED are covered by a 5-year limited warranty. Complete warranty terms can be found at: www.eldoled.com/legal/terms-and-conditions

eldoLED

One Lithonia Way
Conyers, GA 30012
United States

+1 877 353 6533

nasupport@eldoLED.com

www.eldoLED.com

©2022 Acuity Brands Lighting, Inc.
Specifications subject to change without notice. Actual performance may differ as a result of end-user environment and application.