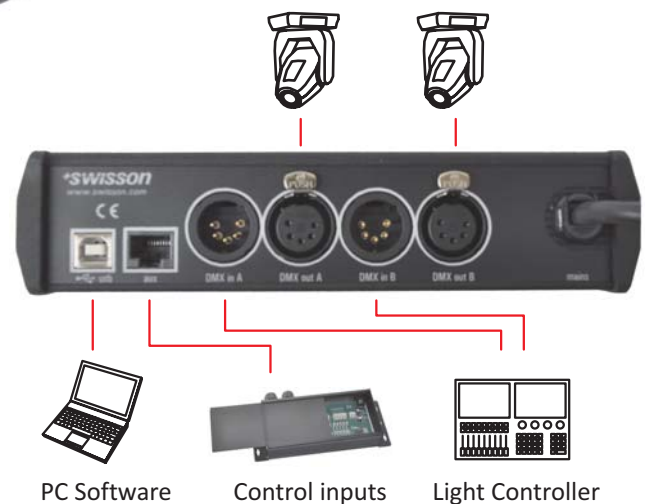


## DMX Recorder XRC-200



### 2 universe, real-time DMX recorder. stand-alone DMX replay unit.

The XRC-200 is an easy to use DMX recording and replay unit. The operating concept is similar to a CD player and can be used by non-professionals. The sequences are recorded from a lighting console, or other DMX output device, onto the XRC-200. The XRC-200 replays the recorded sequences in real time. With the ability to record 2 DMX universes (1024 DMX channels), the XRC-200 is suitable for LED and moving light applications/installations. A variety of applications in architecture and entertainment, tradeshow, retail and museum lighting are covered with the XRC-200 easily and economically. The optional XRC-CT15B contact box with 15 inputs for dry contacts allows a customized integration of triggers for control of the XRC-200. In addition, the XRC-200 has an internal timer for show and device control. The device can also be set up to be remotely operated or triggered by DMX. During live shows, the XRC-200 can be used as a DMX backup device. The sequences and settings of the XRC-200 can be stored and managed with the XRC-200 PC software, which is connected via the USB port.



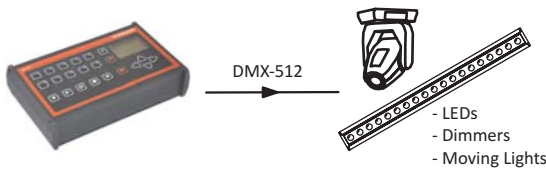
- **Record and play back 64 Sequences**
- **10 Configurable play lists**
- **Configurable fade times**
- **Optional 15 Control Inputs**
- **2 DMX Inputs**
- **2 DMX Outputs**
- **Built in timer**
- **Backup device**
- **USB connection for firmware update, and PC software**
- **PC software for uploading, downloading and storage of shows**

## Record DMX



The XRC-200 is connectet between the light equipment and the light controller to record the DMX in real time.

## Replay DMX



The XRC-200 plays the recorded sequences precisely. It starts manually or automatically. It can also start by using the internal timer.

## Ignition Sequence

Initializing commands like lamp-on or reset can be recorded on a special ignition sequence. This ignition sequence runs once at each start-up of the XRC-200.

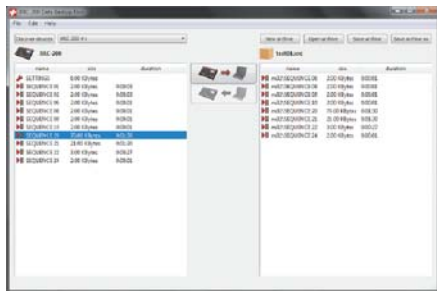
## Playlist

Multiple sequences and interactivity functions can be combined into playlist. It's possible to create up to 10 playlists.

## Backup Mode

The XRC-200 can be used as backup device. It will automatically take over when the DMX signal fails.

## PC Software

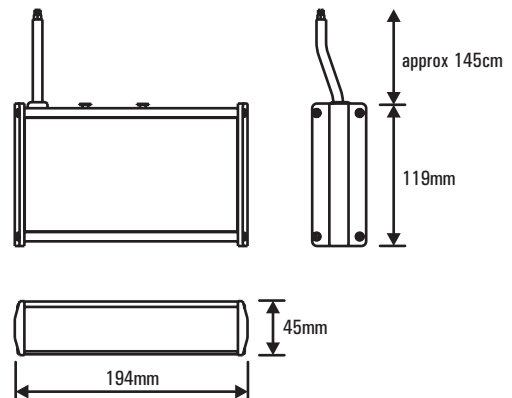


Sequences and settings of the XRC-200 can be managed by using the XRC-200 PC software.

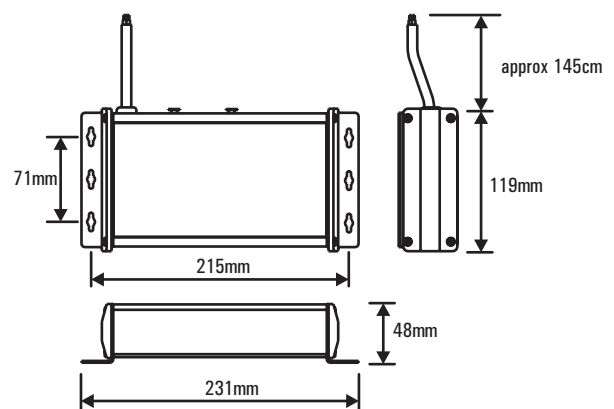
## Technical Data

Mains supply .....	100V-240V 50/60Hz
PC connection .....	USB B
Operating temperature .....	up to 45 [°C]
DMX Channels .....	1024
Memory .....	256 Mbit Flash
Sequences .....	64
Playlists .....	10
Playlist steps .....	64
DMX remote .....	yes
Autostart .....	yes
Standby .....	yes
Ignition sequence .....	yes
Timer .....	Battery buffered
Dry contacts .....	15 (with XRC-CT15b)
DMX inputs .....	2
DMX outputs .....	2
XRC-200 PC Software .....	included (Windows)

## Dimensions XRC-200



## Dimensions XRC-200-WM



ArtNr#	Type	Description
10 20 60	XRC-200	DMX Recoder
10 20 62	XRC-200-WM	DMX Recorder for wall mount
10 20 50	XRC-CT15b	External Contact Box