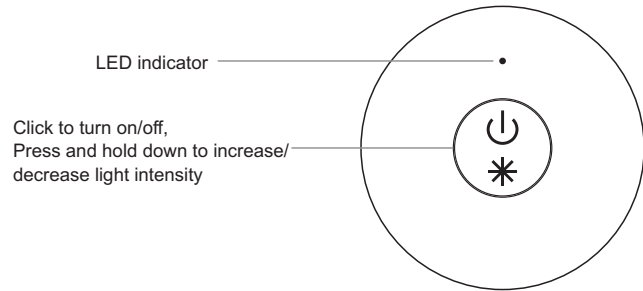


RF Single Color Controller

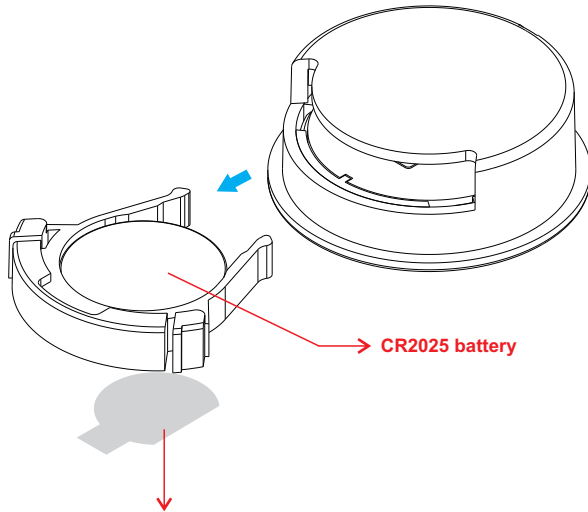


Important: Read All Instructions Prior to Installation

Function introduction



Front side



Note: Before the first use, please remove the protective film on the battery.

09.2833S.04208

Product Data

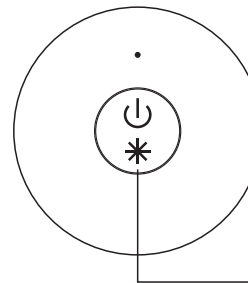
Output	RF signal
Operation Frequency	869.5/916.5/434MHz
Power Supply	3V(CR2025 battery)
Operating temperature	0-40°C
Relative humidity	8% to 80%
Dimensions	Φ38.5x14.8mm

- Control 1 zone
- Single color controller
- Memory Function
- Compatible with all universal series RF receivers
- 1 receiver can be paired by max 8 different remote controls.
- Waterproof grade: IP20

Safety & Warnings

- This device contains a button lithium battery that shall be stored and disposed properly.
- DO NOT expose the device to moisture.

Pair with RF receiver



Step 1: Do wiring the RF receiver according to wiring diagram (please refer to the instruction of RF receiver that you would like to pair with).



Step 2: Click the "Learning Key" button on RF receiver or re-power on the receiver three times continuously to set it into pairing status

Step 3: Click the button on the remote, LED lights connected with the RF receiver flicker once means the receiver is paired with the remote successfully.

Note: one receiver can be paired with max 8 remote controls.

Install the remote control on the wall

1. Fix the magnet in the chute of the back shell

2. Screw the back cover onto the wall

3. The back cover can suck the remote control on the wall.

