

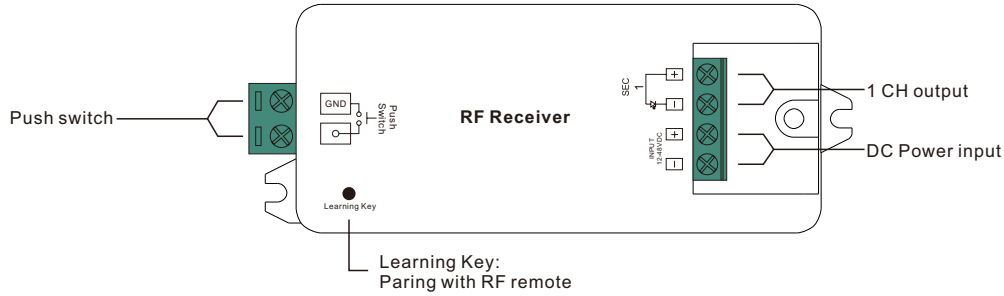
# Universal series RF Receiver

70020006



**Important:** Read All Instructions Prior to Installation

## Function introduction



## Product Data

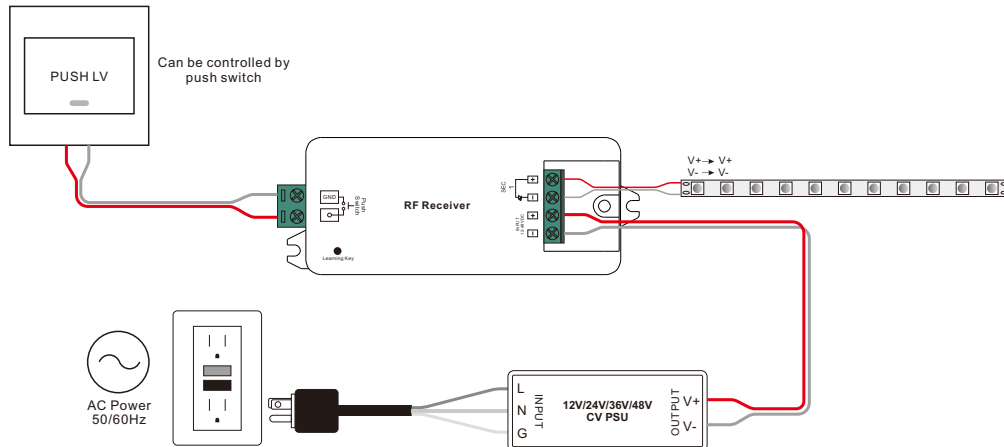
No.	Input Voltage	Output Current	Output Power	Remarks	Size(LxWxH)
1	12-48VDC	1x8A@12-36VDC 1x4A@48VDC	1x(96-288)W@12-36VDC 1x192W@48VDC	Constant voltage	95x37x20mm
2	12-48VDC	1x350mA	1x(4.2-16.8)W	Constant current	95x37x20mm
3	12-48VDC	1x700mA	1x(8.4-33.6)W	Constant current	95x37x20mm

- Radio Frequency : 868/869.5/916.5/434mhz
- Waterproof grade: IP20

## Safety & Warnings

- DO NOT install with power applied to device.
- DO NOT expose the device to moisture.

## Wiring Diagram



## Pair/delete the pairing with RF remote

1. Do wiring according to connection diagram.
2. Pair RF Receiver with RF remote: please refer to the instruction of the remote that you would like to pair with.
3. Delete the pairing:
  - (1) Wire up the RF receiver correctly, power on.
  - (2) Press and hold down the “ **Learning Key** ” button on receiver for over 3 seconds until the connected light flashes, which means well deleted.

## PUSH DIM:

While connected with PUSH LV, click the button to switch ON/OFF lights. Press and hold down the button to increase/decrease light intensity.

## Product Dimension

