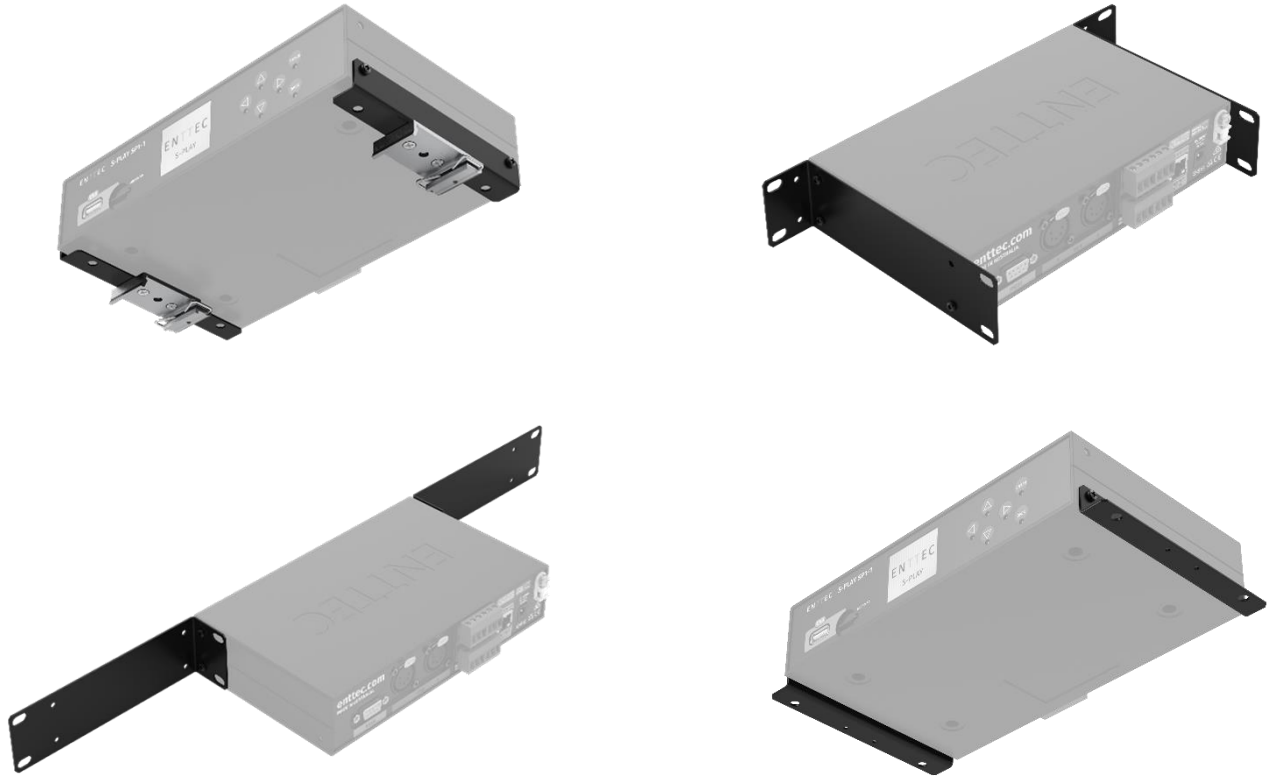


# ENCase Mounting Kit Installation Guide



## Contents

Introduction:.....	1
Safety.....	2
Protection from Injury During Installation.....	2
Installation Safety Guidelines.....	2
Physical Dimensions.....	2
Half width rack mounting (1RU 9.5").....	3
Full width rack mounting (1RU 19").....	3
Surface mounting.....	4
DIN rail mounting (TS-35).....	4

## Introduction

All ENTTEC products manufactured with ENCase hardware are shipped with a mounting kit allowing:

- Full-width rack mounting (1RU 19")
- 1RU half-width rack mounting (1RU 9.5")
- Surface / Wall mounting
- TS35 DIN mounting with dual mounting points

## Safety

**⚠** Ensure you are familiarized with all key information within this guide and other relevant ENTTEC documentation before specifying, installing, or operating an ENTTEC device. If you are in any doubt about system safety, or you plan to install ENTTEC device in a configuration that is not covered within this guide, contact ENTTEC or your ENTTEC supplier for assistance.

ENTTEC's return to base warranty for this product does not cover damage caused by inappropriate use, application, or modification to the product.

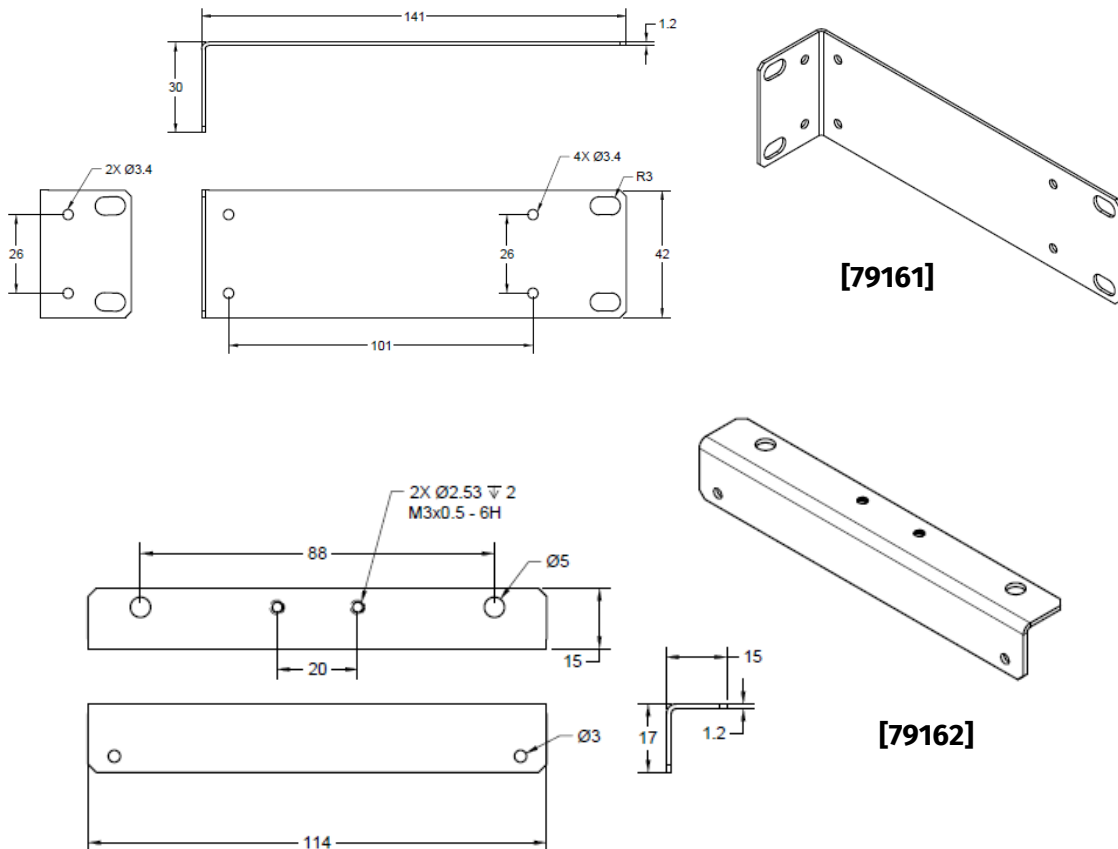
## Protection from Injury During Installation

- ⚠** ■ Installation of this product must be performed by qualified personnel. If ever unsure always consult a professional.
- Always work with a plan of the installation that respects all system limitations as defined within this guide and product datasheet.
- Always use suitable personal protective equipment when installing ENTTEC products.
- Once installation is completed, check that all hardware and components are securely in place and fastened to supporting structures if applicable.

## Installation Safety Guidelines

- Do not use the device if you see any signs of damage.
- Do not sign off a system without ensuring all cabling to your ENTTEC device and accessories has been appropriately restrained, secured and is not under tension.

## Physical Dimensions



## Half width rack mounting (1RU 9.5")

1. Connect both rack ears [79161 – in diagram] to the three M3 holes located along each side of the product using the panhead screws provided ensuring they are tightened securely (6 total).
2. Pass your rack mount bolts through all four forward facing holes [R3 – in diagram] to secure in a standard 9.5" rack.

### Warnings

- Rack mounting screws are not supplied by ENTTEC. The installer is responsible for the rack fixing method. The selected method must be rated to support the total weight of product, mounting accessories and cabling attached.
- To avoid rotational stress on the device and mounting hardware, do not exert excessive stress on cabling or use the device to support other hardware.
- Do not overtighten any bolts or fixings. Overtightening could cause damage.



## Full width rack mounting (1RU 19")

1. Connect both rack ears [79161 – in diagram] to the two M3 holes located along each side of the product using the panhead screws provided ensuring they are tightened securely (4 total).
2. Pass your rack mount bolts through all four forward facing holes [R3 – in diagram] to secure in a standard 19" rack.

### Warnings

- Rack mounting screws are not supplied by ENTTEC. The installer is responsible for the rack fixing method. The selected method must be rated to support the total weight of product, mounting accessories and cabling attached.
- To avoid rotational stress on the device and mounting hardware, do not exert excessive stress on cabling or use the device to support other hardware.
- Do not overtighten any bolts or fixings. Overtightening could cause damage.



## Surface mounting

1. Attach both angle brackets [79162 – in diagram] to the M3 holes located along the bottom edge of the device using the 4 pan-head screws provided. Ensure the brackets are angled away from the device.
2. Hold the device up to the surface you want to attach it to and mark the location of each M5 hole using a pencil.
3. Remove the product from the surface, protect from dust & swarf, then create a pilot hole for your bolt or screw mounting method on each pencil mark.
4. Attach the device to the surface using bolts or screws rated to hold up to 5 times the weight of the device, fixing methods and cabling.

### Warnings

- Fixing screws are not supplied by ENTTEC. The installer is responsible for the fixing method.
- If installing this device to a surface, ensure there are no cables, pipes or other services behind that could be damaged.
- If installing on a vertical surface or overhead, ensure your mounting solution is capable of holding 5 times the of product, mounting accessories and attached cabling.
- Only attach this bracket to flat surfaces – uneven surfaces could result in pressure being applied to the underside of the device and cause damage if your surface is uneven, use spacers to ensure the device is level and only the brackets contact the surface.
- Do not modify the bracket or use it in a method not covered in this guide, doing so will void the warranty.
- Do not overtighten any bolts or fixings. Overtightening could cause damage.

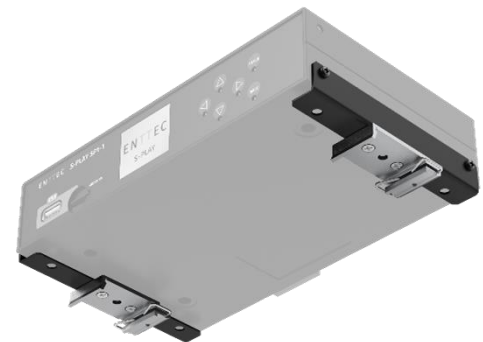


## DIN rail mounting (TS-35)

1. Attach the two TS35 DIN mount clips to both angled brackets [79162 – in diagram] using the 4 countersunk screws to ensure a tight fit.
2. Position the brackets under the device to minimize the overall footprint. Use four pan-head screws to attach both brackets to the lower edges of the device using the M3 holes.
3. For best practice your TS35 DIN rail should always be connected to electrical earth.

### Warnings

- Ensure your DIN rail is capable of supporting at least 5 times the weight of product, mounting accessories and attached cabling.
- Do not overtighten any bolts or fixings. Overtightening could cause damage.



*\*S-PLAY used throughout this guide for illustration purposes only*