



Electrical Specifications

General Information

Item Number	*2743UR (51598)
Type	Constant Voltage
Output Power	50W (Max.)
Output Voltage	24V DC
Input	120VAC

Find (NAED) as cross reference for new item number i.e. *12345

Environmental Specifications

Ambient Operating Temperature	-20 to 50 °C
Max. Case Temperature (Tc)	75°C
Storage Temp.	-25 to 50 °C
Surge Protection (KV)	ANSI C62.41 Cat A (5KV)
Overvoltage Protection	Yes
Short Circuit Protection	Yes
Over-temperature Protection	Yes
UL Environmental Rating	Dry
EMI Compliance	FCC Part 15 Class A

Input

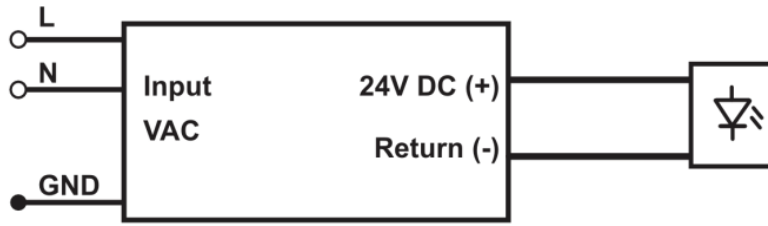
Input Voltage (VAC)	120V-277V (+/- 10%)
Frequency Range (Hz)	50 - 60 Hz (+/- 10%)
Input Current (A)	0.47@ 120V
Input Power (W)	56W
THD	< 20%
Power Factor	> 0.95
Inrush Current (Apk)	< 40A
Line Regulation	< 3%
Stand-by Power (W)	< 1.5W

Output

Output Voltage (VDC)	24V (+/- 5%)
Output Current (A)	0.04- 2.05A
Output Ripple (V)	0.2V
Efficiency	>85% (Typical)
Load Regulation	<3%

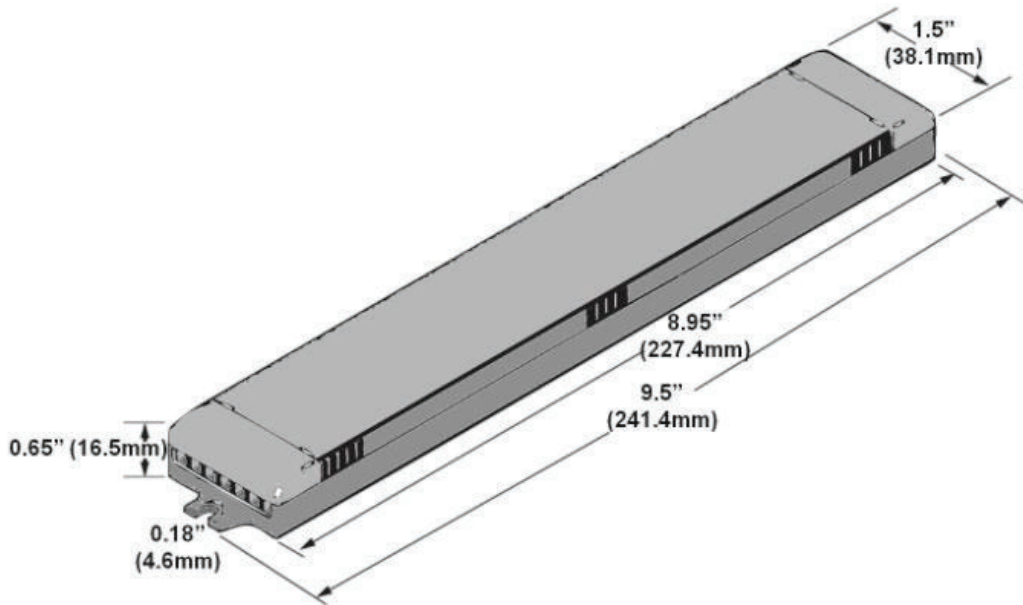


Wiring Diagram



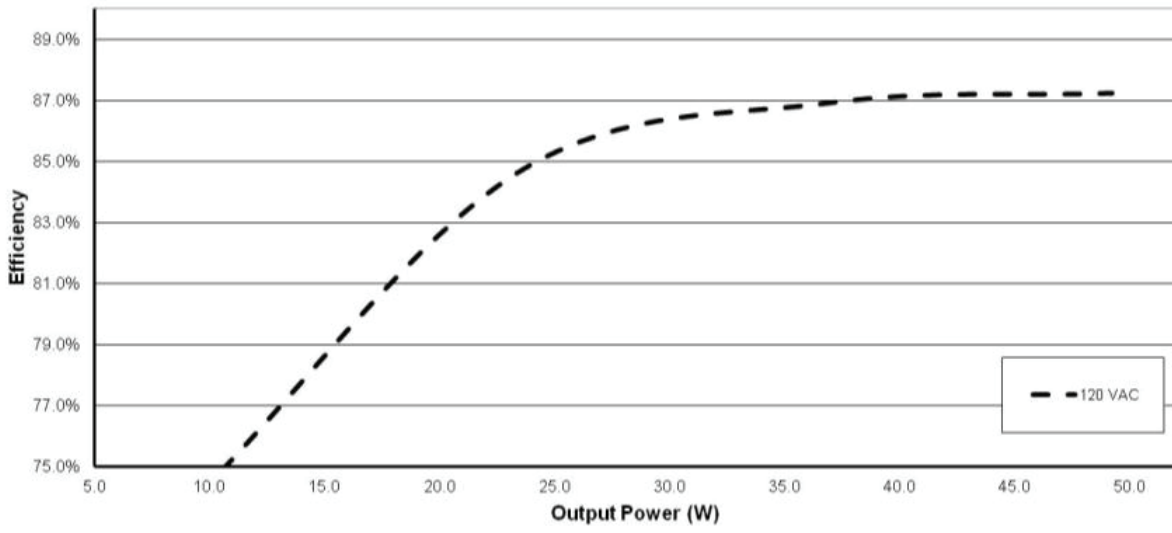
Note: Mounting distance for 18 AWG wire is 15 feet.
For additional information on further distances and EMI compliance reference application note LED126.

Mechanical Diagram

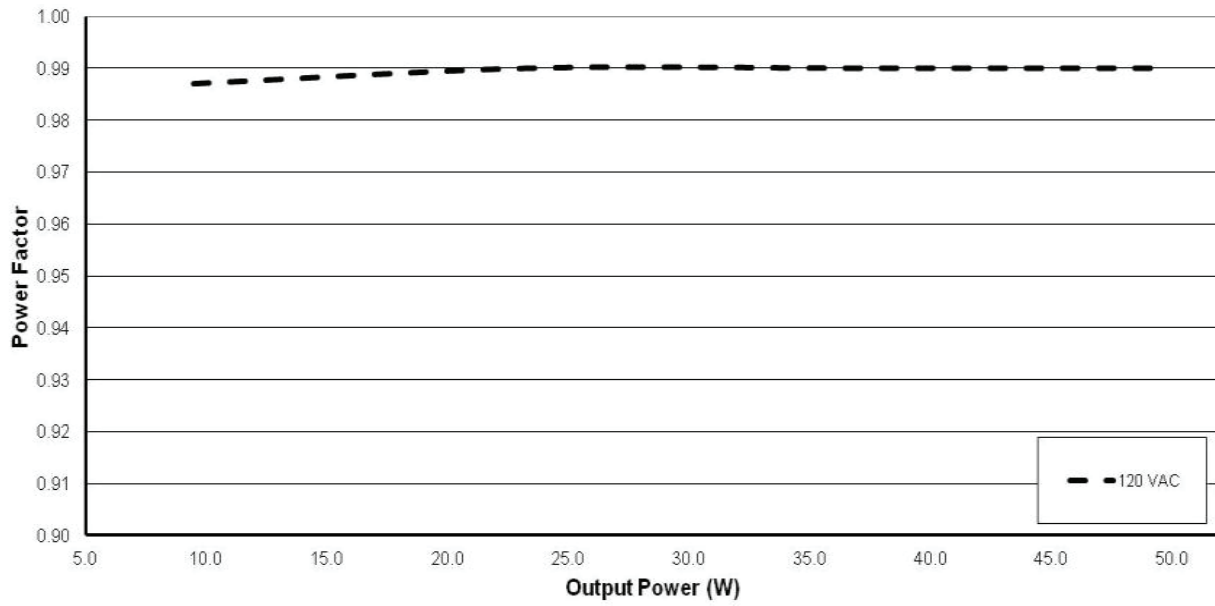


Wiring	Connectors
Wire Gauge	14 - 20 AWG

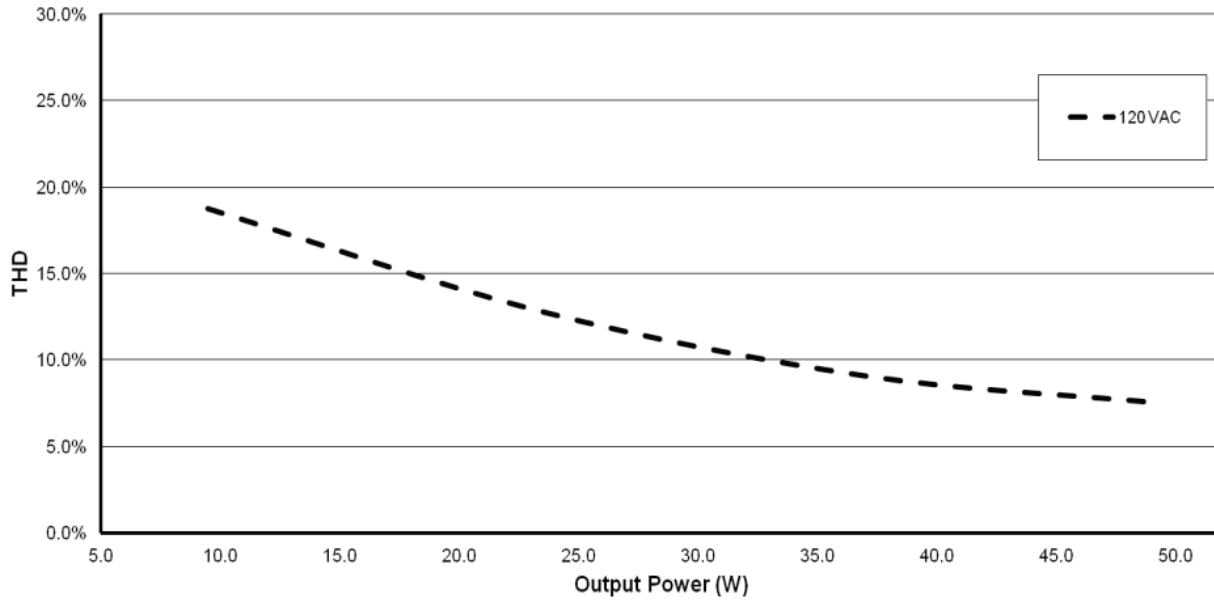
Typical Efficiency



Typical Power Factor



Typical THD



Warranty

eldoLED OPTOTRONIC® Products are covered by a 5-year limited warranty. Complete warranty terms can be found at: www.eldoled.com/legal/terms-and-conditions

eldoLED

One Lithonia Way
Conyers, GA 30012
United States

+1 877 353 6533

nasupport@eldoLED.com
www.eldoLED.com

51598 10-21

©2021 Acuity Brands Lighting, Inc.
Specifications subject to change without notice. Actual performance may differ as a result of end-user environment and application.