

Wall Mounted RGBW DMX512 Controller

09.2812U.04150



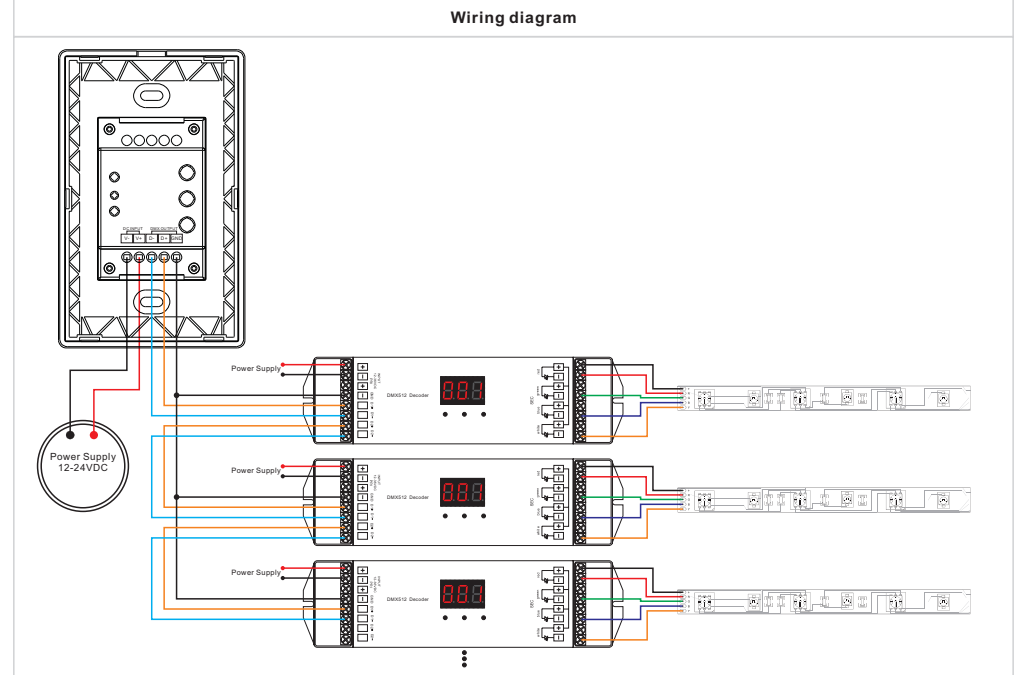
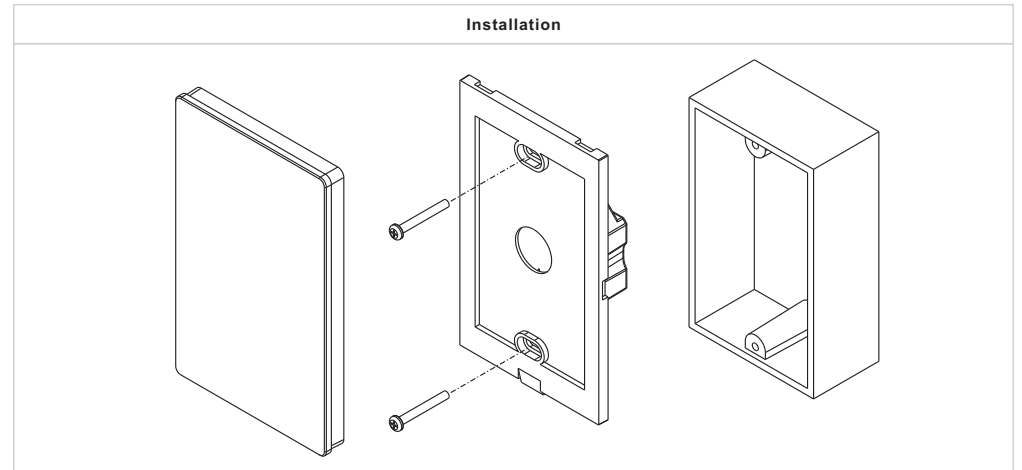
- Touch sensitive
- Glass interface(white & black)

- Control 1 zone/area
- DMX512 signal output

Picture		Brief introduction of buttons	
Operation Voltage	Output		
12-24V DC	DMX512 signal		

Size

Dimensions: 75.00 mm (width), 120.00 mm (height), 29.50 mm (depth), 43.58 mm (mounting bracket width), 65.58 mm (mounting bracket height).



Operation

- 1. Set DMX Address:**
The controller can control many DMX Decoders, All DMX Decoders Set as 001
Note: one DMX Decoder has 4 channels, so take 4 DMX Addresses 001, 002, 003, 004
- 2. Save color/scene/mode:**
 Turn on RF remote → Select a color or mode → Hold S1/S2/S3 until light flash twice
- 3. Call up the saved:**
 Turn on RF remote → Click save button: S1/S2/S3