



CVC4 – Datasheet

High precision, auto-addressable RGBW LED tape dimmer with P-Link or DMX/RDM input.



ENTTEC's CVC4 is a high precision 4 channel, constant voltage (CV) LED dimmer, capable of dimming up to 5A of LED tape per channel at 12-24v.

The CVC4's key feature is its integration of ENTTEC's Pixelator family controller's auto-addressing PLink protocol. This is a time saving system designed to allow users to simply chain one device to the next using Cat6 cable up to 300m away, removing the need to manually address each CVC4.

Alternatively use RDM to configure the start address of each CVC4 (default channel 001) and control over DMX. Another feature for the CVC4 is its ability to convert DMX to PLink protocol, connect a Cat6 cable to a CVC4 receiving DMX and the PLink protocol will auto-address all consecutive CVC4 along the daisy chain.

The CVC4 incorporates a user-serviceable blade fuse to protect against short circuits and features the ability to limit the output to reduce overheating. With two DIP switches located on the CVC4, easily switch between RGB/RGBW and 8-bit/16-bit modes¹.




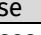
The solid-state, fan-less design means the CVC4 is virtually silent when in operation.

Features

- Dimming capacity of up to 5A per channel.
- 12-24V input (20A maximum).
- 1KHz PWM signal refresh rate.
- Support daisy chaining of ENTTEC's auto-addressing P-Link Protocol over Cat6 cable.
- DMX/RDM input through pluggable rising clamp connector.
- RDM identification and addressing functionality.
- On board conversion from DMX to P-link.
- Attachable TS-35 Din Rail mounting clip.
- Status LED and DIP switch to toggle between RGB/RGBW and 8-bit/16-bit operating modes.
- User-serviceable blade fuse to protect against short circuits.
- Passive cooling with internal overheating protection.
- Compact design with integrated 4mm surface mounting holes.

¹ CVC4 16-bit mode matches CVC3 dimming curve.

Specification

Connectors	1* Power Input (Screw Terminal)		
	1* DMX Input (Screw Terminal)		
	1* PLINK In/Out (RJ45)		
	1* CV Output (Screw Terminal)		
IP rating	IP20		
Data input protocols	DMX512a		
	PLink - WS2812b (RJ45)		
Data output protocol	PLink - WS2812b (RJ45)		
RDM functionality	Start address configuration		
	Temperature monitoring		
	Firmware updatable		
Start address configuration options	PLink using Pixelator family		
	RDM (Default channel: 1)		
Dimming resolution	8/16-Bit		
Fixture Modes / Channel footprint	8-Bit RGB	3ch	
	8-Bit RGBW	4ch	
	16-Bit RGB	6ch	
	16-Bit RGBW	8ch	
Data capability (per chain)	DMX Input	Up to 1 universe	
	PLink Input	Up to 2 universes	
Max. data cable length	DMX	300m per chain	
	PLink	300m between each CVC4 (Cat6)	
Input voltage	12-24 V DC		
Max. current rating	Max. 20A (in 4ch mode)		
Max. output power	240 W (@12V)		
	480 W (@24V)		
Device power draw	Max. 4W - Idle 0.3W		
Max. current per channel	Max. 5A		
Reverse polarity protection	Yes (power input connector only)		
Over Temperature Protection	Yes (output intensity will half and the LED indicator will blink red unit device has cooled).		
Pulse width modulation (PWM) frequency	1KHz - Fixed		
User serviceable fuse:	ATO 20A blade fuse		
Cooling method	Convection		
Operating temperature	-20°C to +50°C -4°F to 122°F		
Environmental operating humidity	5- 95% (non-condensing)		
Mounting Options	Surface mount using mounting tabs		
Body material	Black ABS plastic + Aluminium heat sink		
Unit dimensions	88*117.5*31.5mm		
Unit weight	0.13kg / 0.28lbs		
Shipping dimensions	140*140*40 mm		
Shipping weight	0.19kg / 0.42lbs		
Warranty	3 year return to base manufacturer warranty		

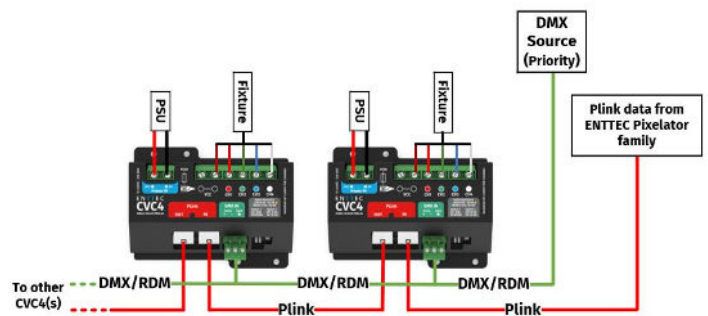
Certification



Box contents

- CVC4
- TS35 DIN clip
- 2 * Din clip mounting screws

Application diagram



User Serviceable Fuse

The CVC4 contains a user serviceable 20A blade fuse to protect against over draw and short circuiting.

Installation

This product must be installed in accordance with applicable national and local electrical & construction codes by a competent person familiar with the operation of the product and the hazards involved. Failure to comply with these and the product installation guide may result in serious injury or damage to property. Refer to this product's full installation guide before handling, planning, and specifying it on your project. If ever unsure consult ENTTEC.

Ordering information

For further support and to browse ENTTEC's range of products visit the [ENTTEC website](https://www.enttec.com).

Item	SKU
CVC4	73926

enttec.com

MELBOURNE AUS / LONDON UK / RALEIGH-DURHAM USA

Due to constant innovation, information within this document is subject to change.